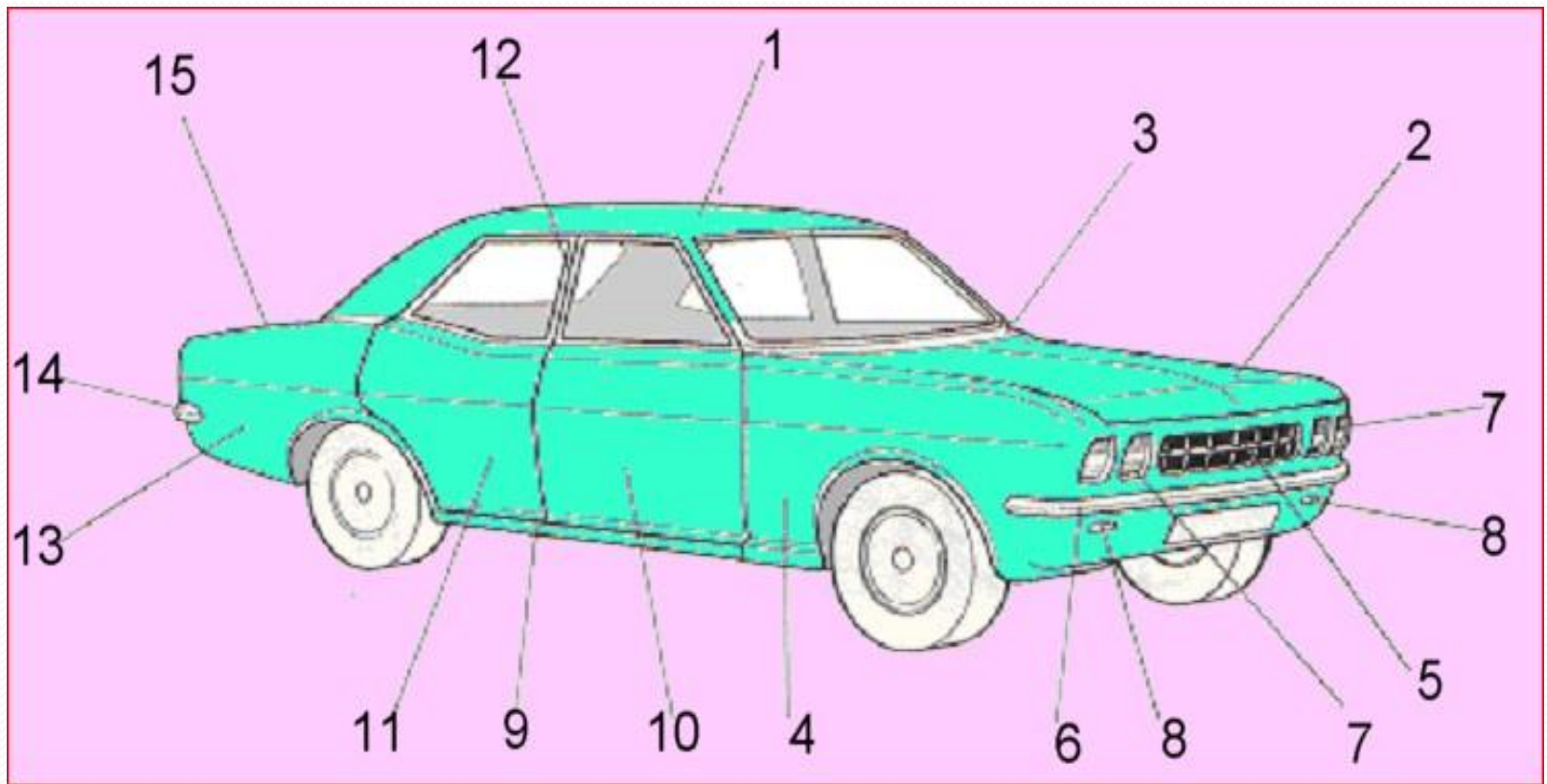


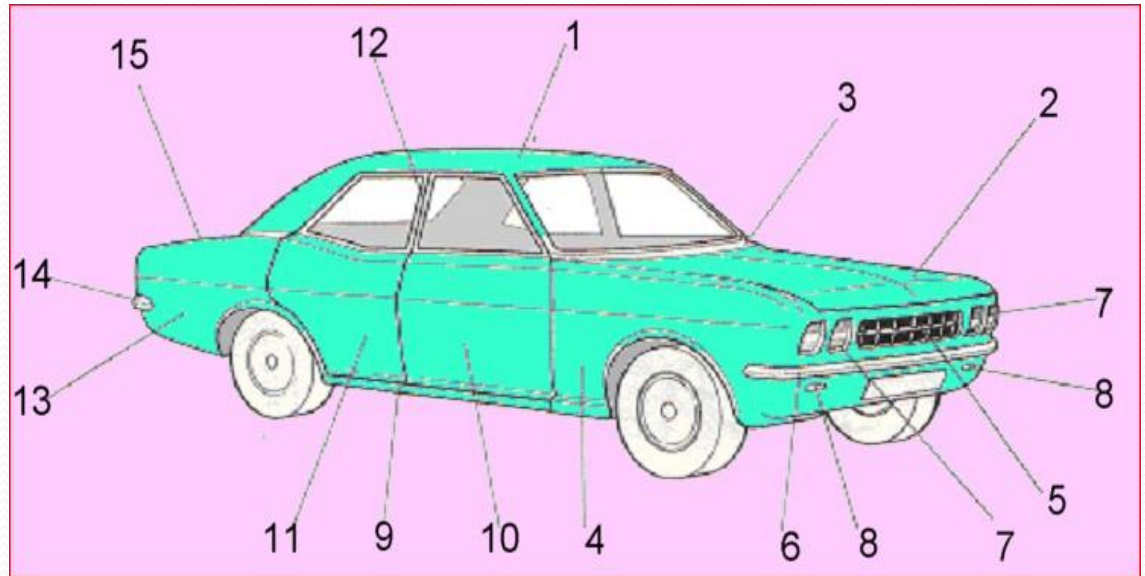
# *Komponen Bodi Kendaraan*

# Konstruksi Luar

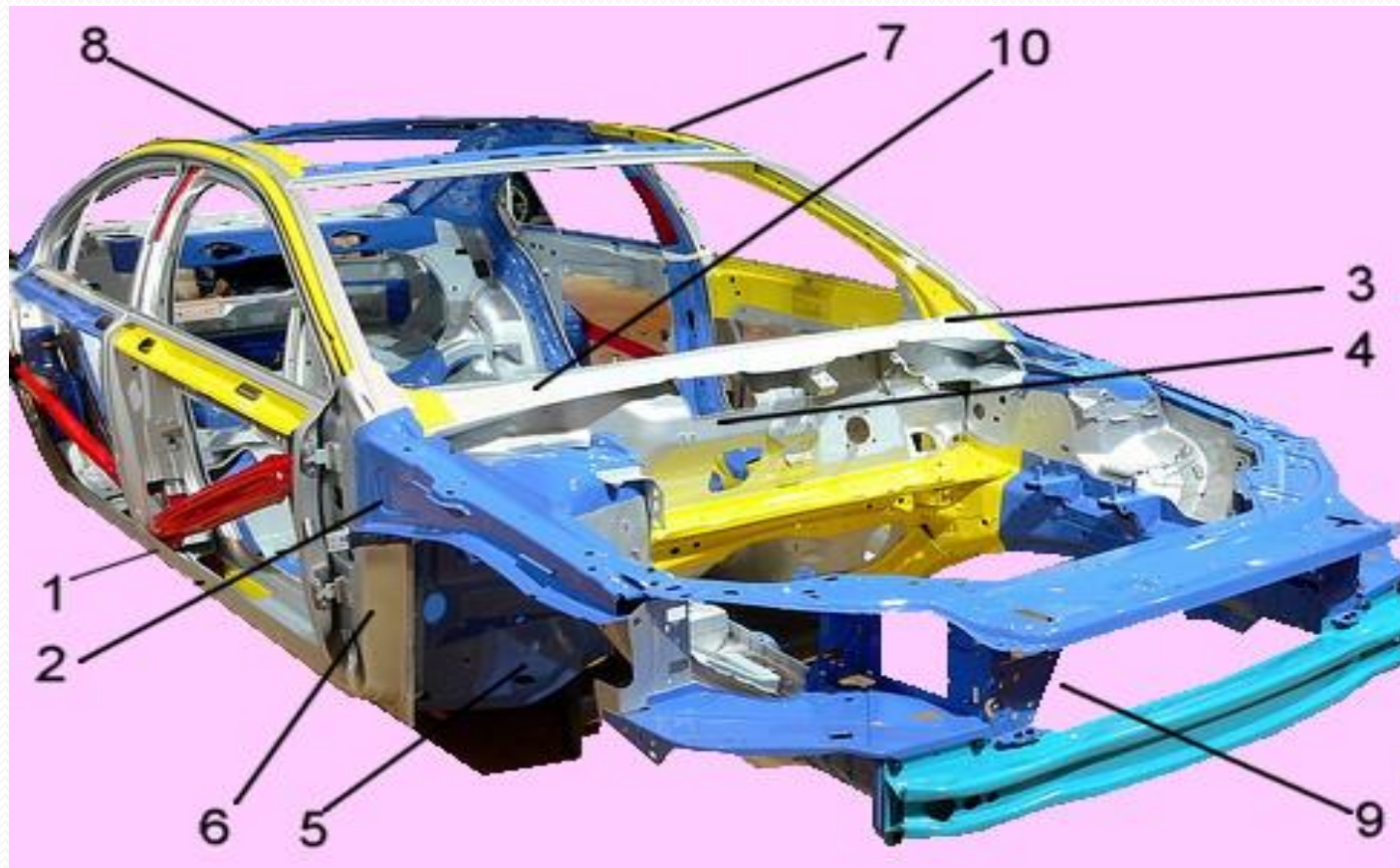


# Komponen Konstruksi Luar:

- 1. roof
- 2. engine hood
- 3. front glass
- 4. front fender
- 5. grill
- 6. moulding
- 7. head lamp
- 8. tail light
- 9. floor
- 10. front door
- 11. rear door
- 12. center pillar
- 13. rear fender
- 14. rear bumper
- 15. deck lid

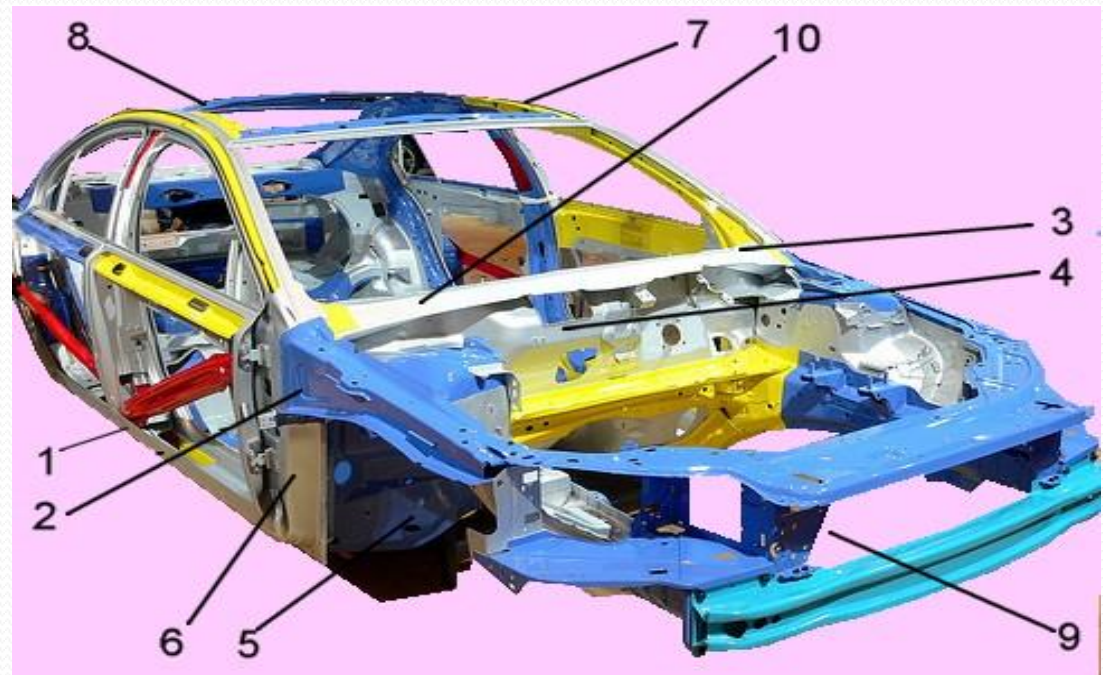


# Konstruksi Dalam

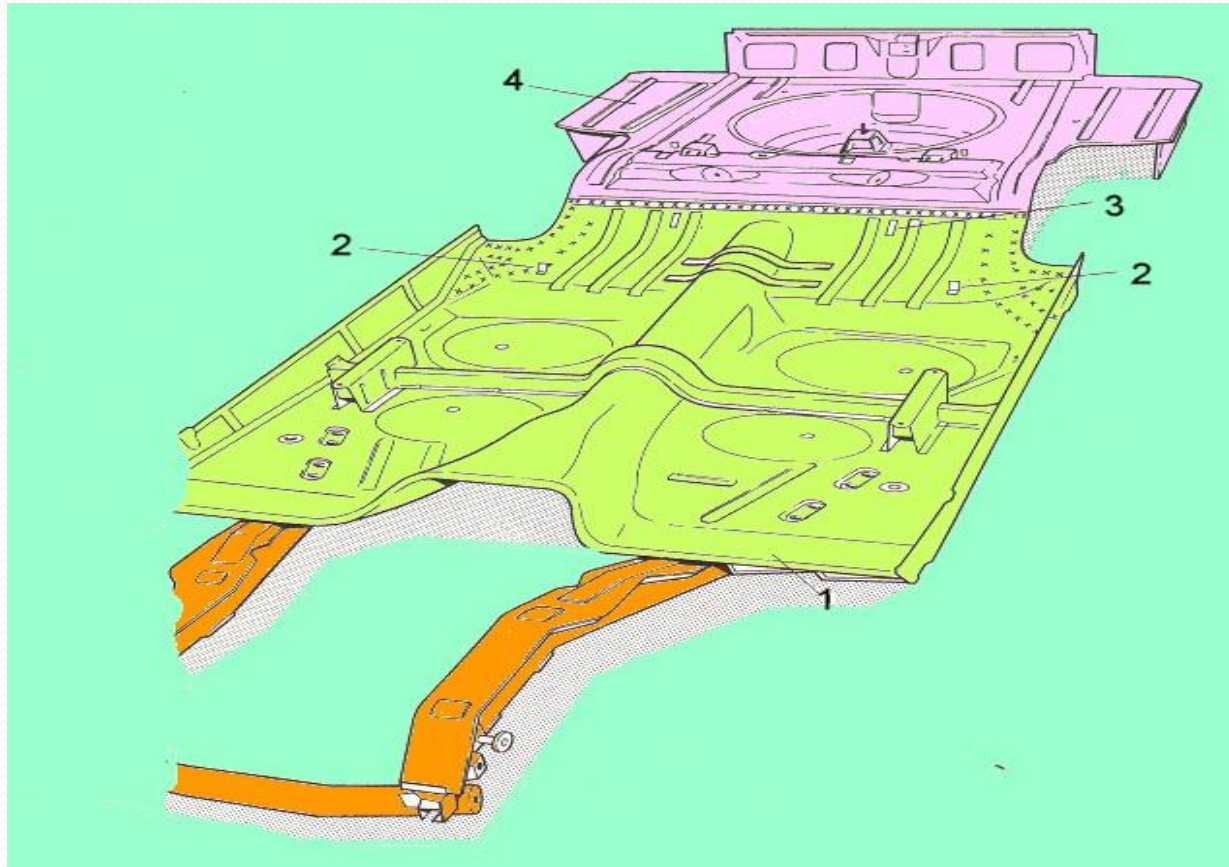


# Komponen Konstruksi Dalam:

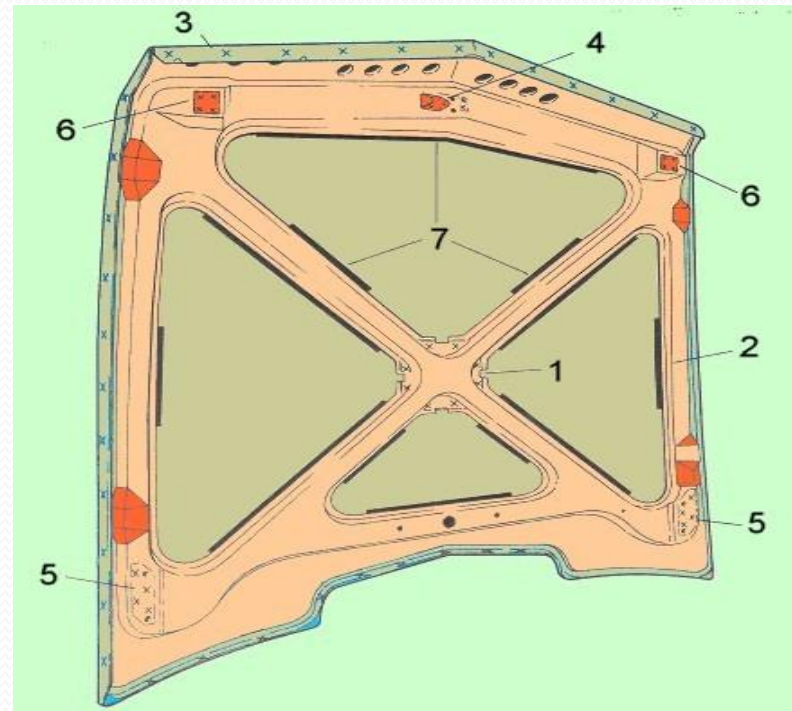
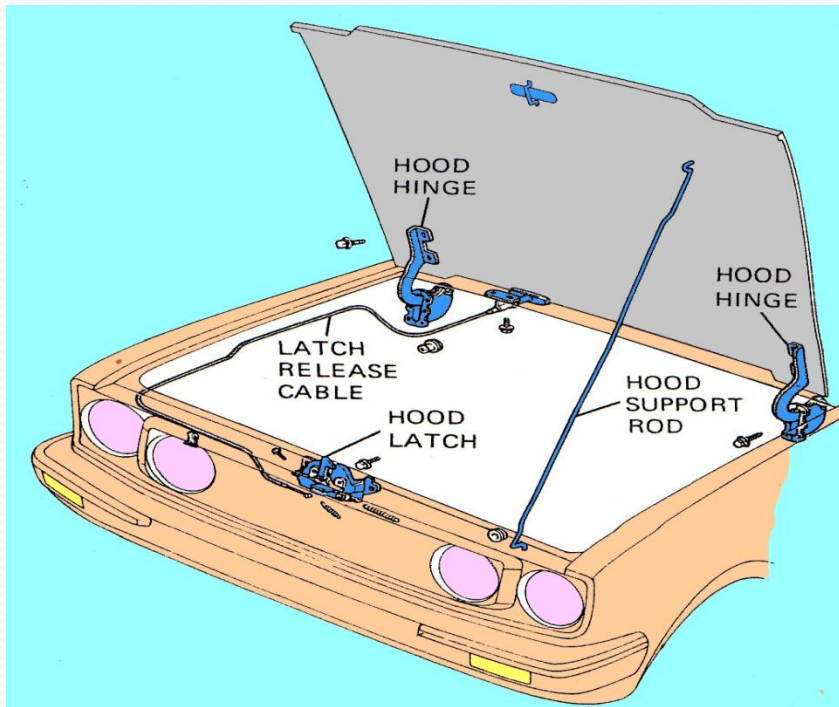
1. Floor unit
2. Side frame
3. Front glass assembly
4. Cowl panel
5. Front fender liner
6. Hinge
7. Roof panel
8. Rear glass frame
9. Radiator frame
10. Dash panel



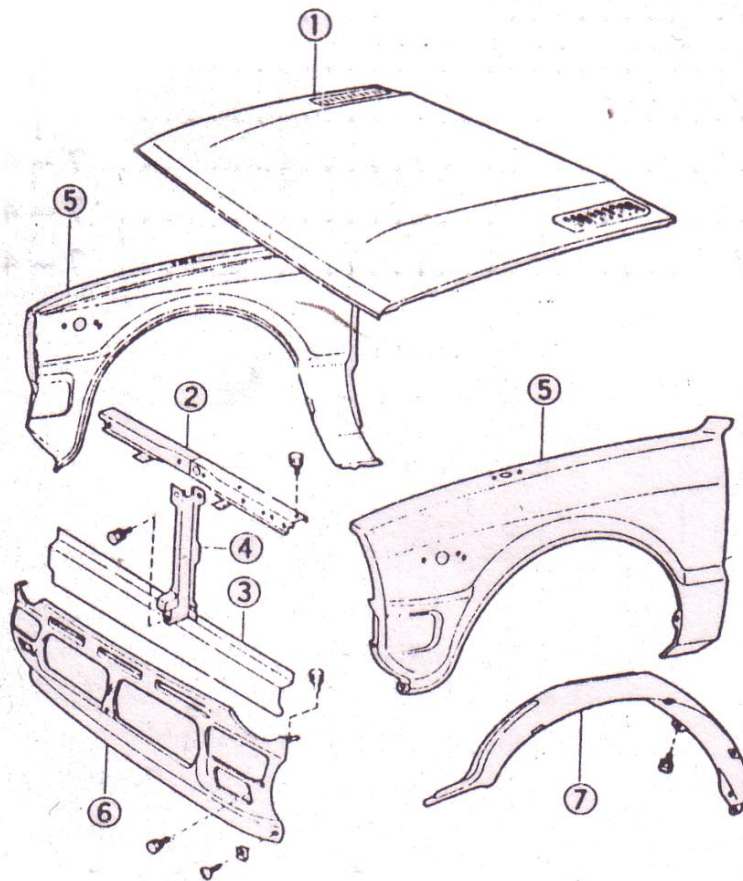
# Lantai (*Under Body*)



# Engine hood



# Fender

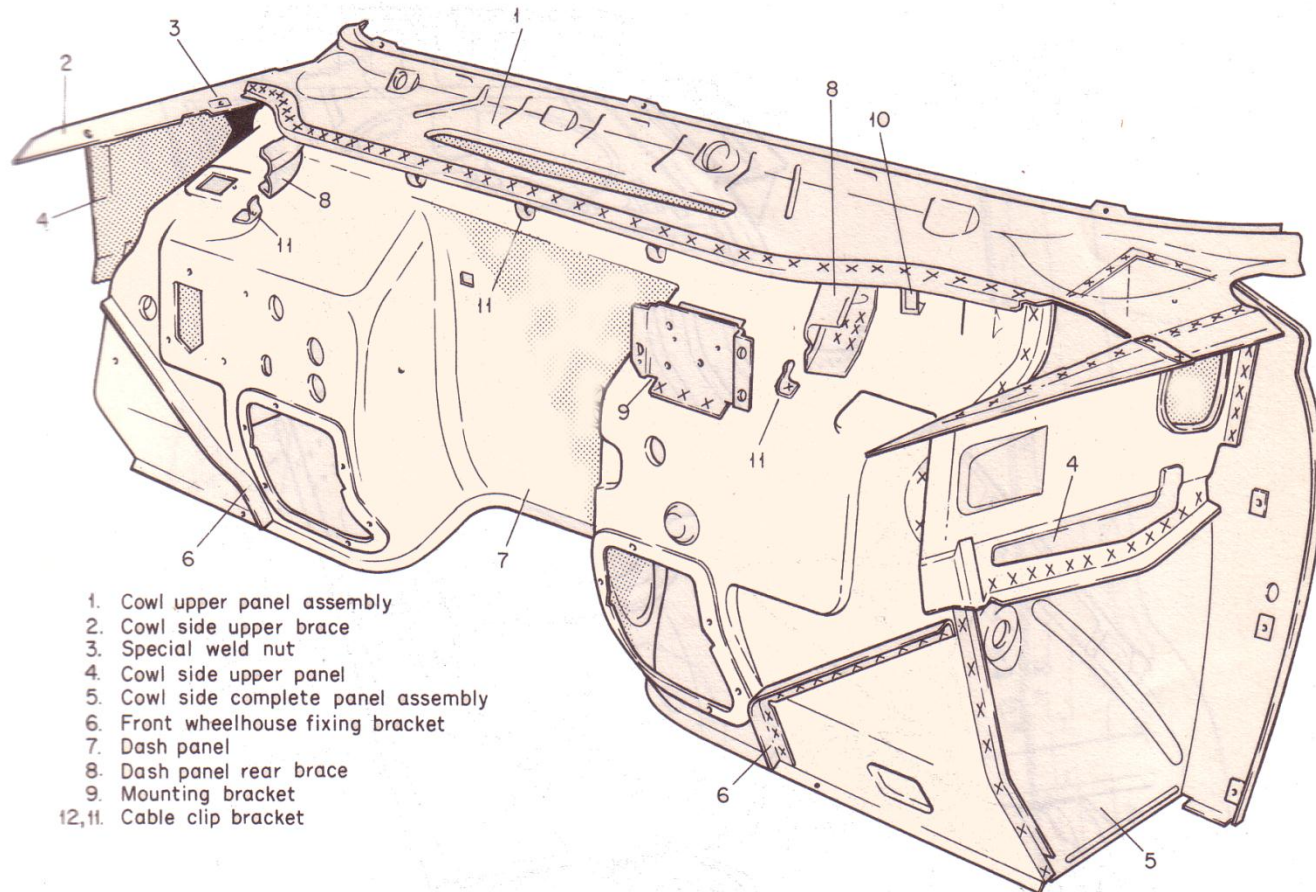


- ① Hood sub-assembly
- ② Radiator upper center support sub-assembly
- ③ Front cross member sub-assembly
- ④ Hood lock support sub-assembly
- ⑤ Front fender sub-assembly
- ⑥ Front balance panel
- ⑦ Front fender liner

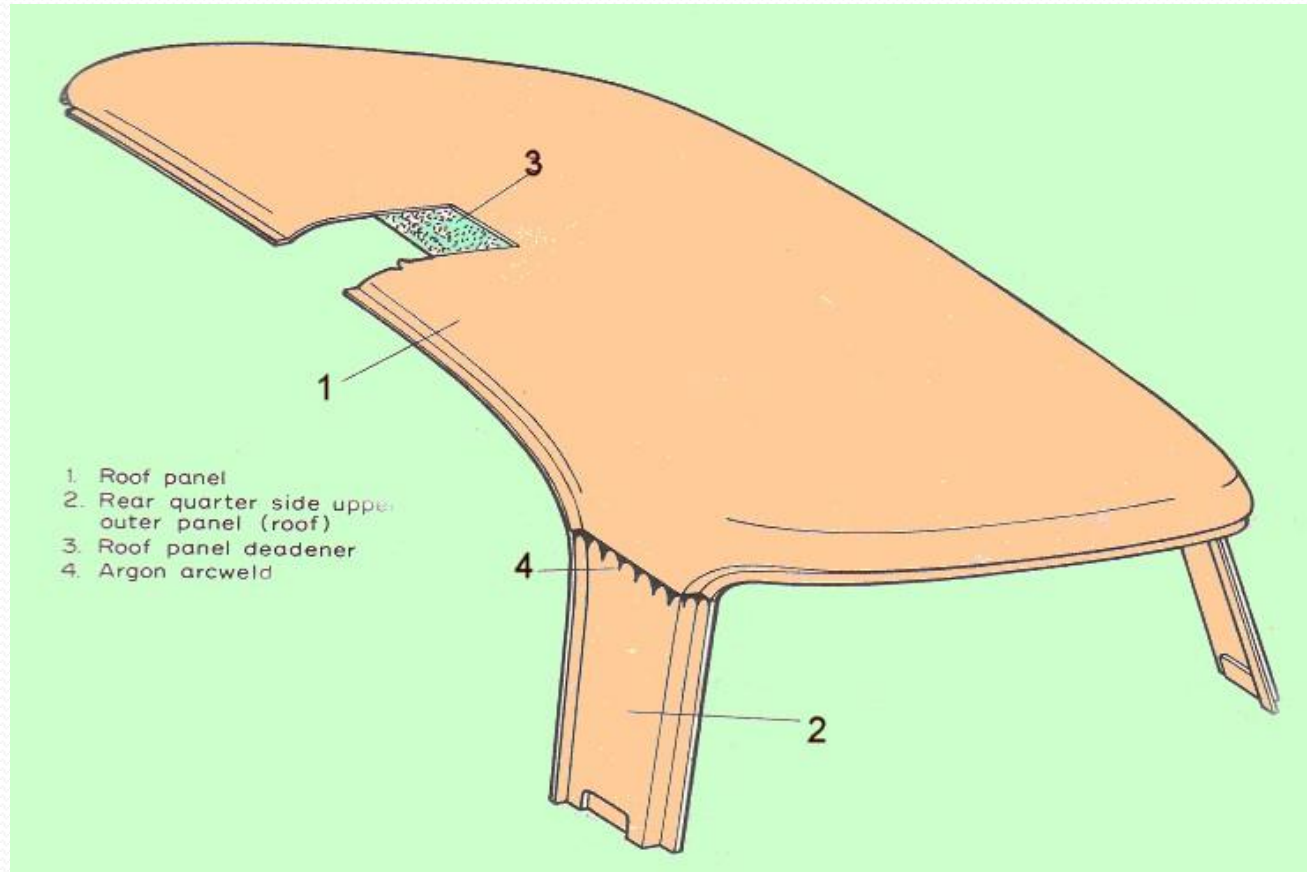
(Fenders)



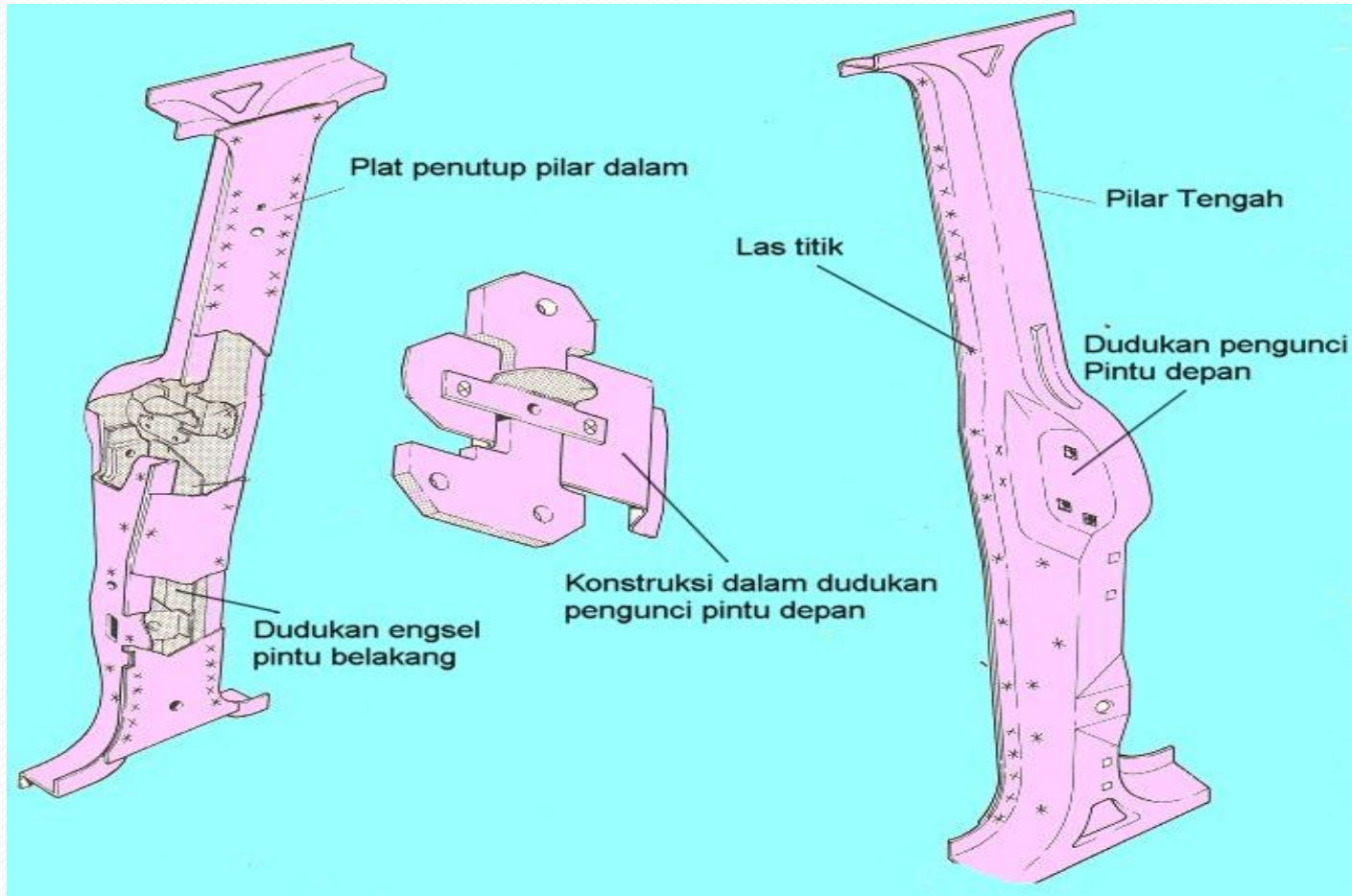
# Cowl & Dash Panel



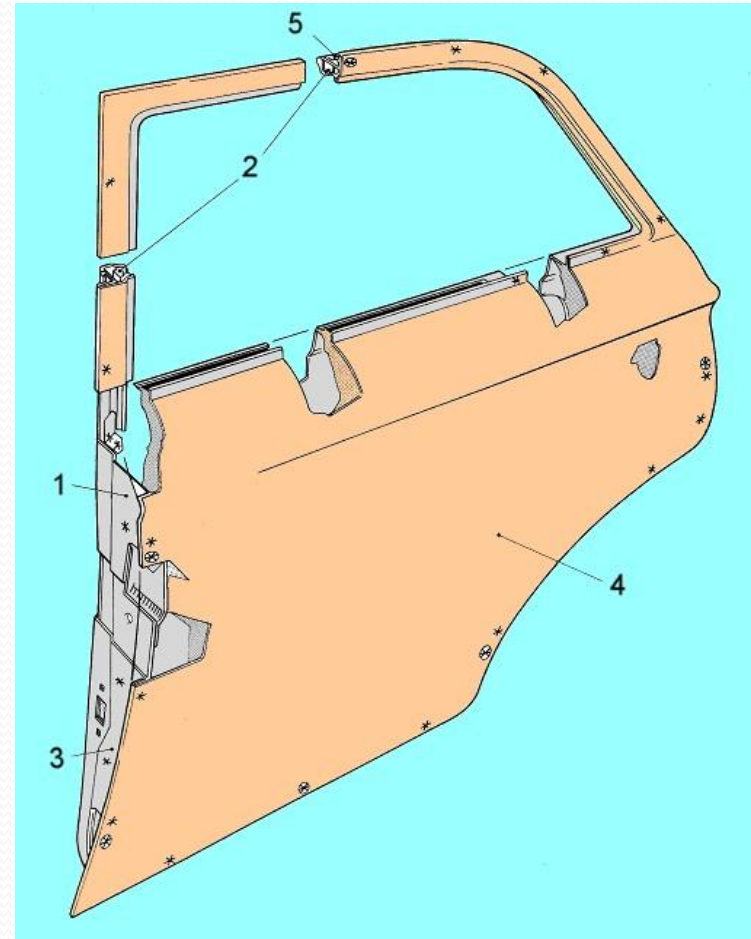
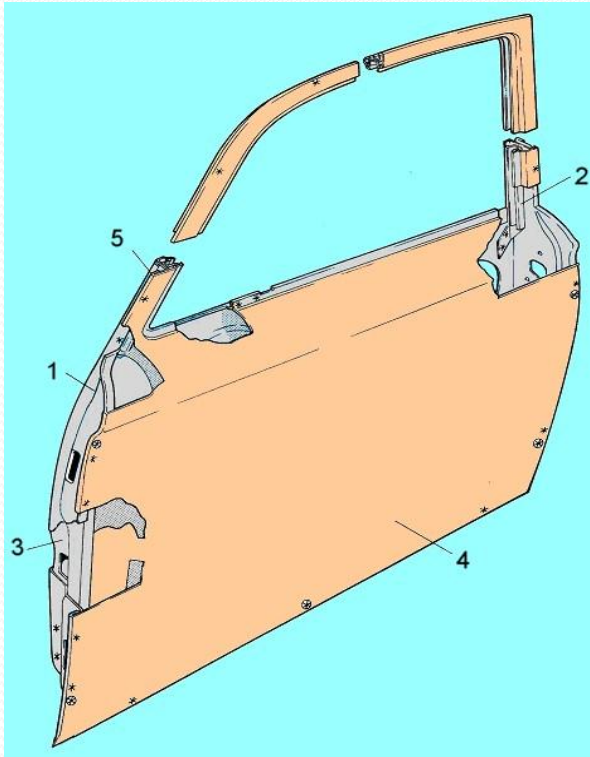
# Atap kendaraan (*roof panel*)



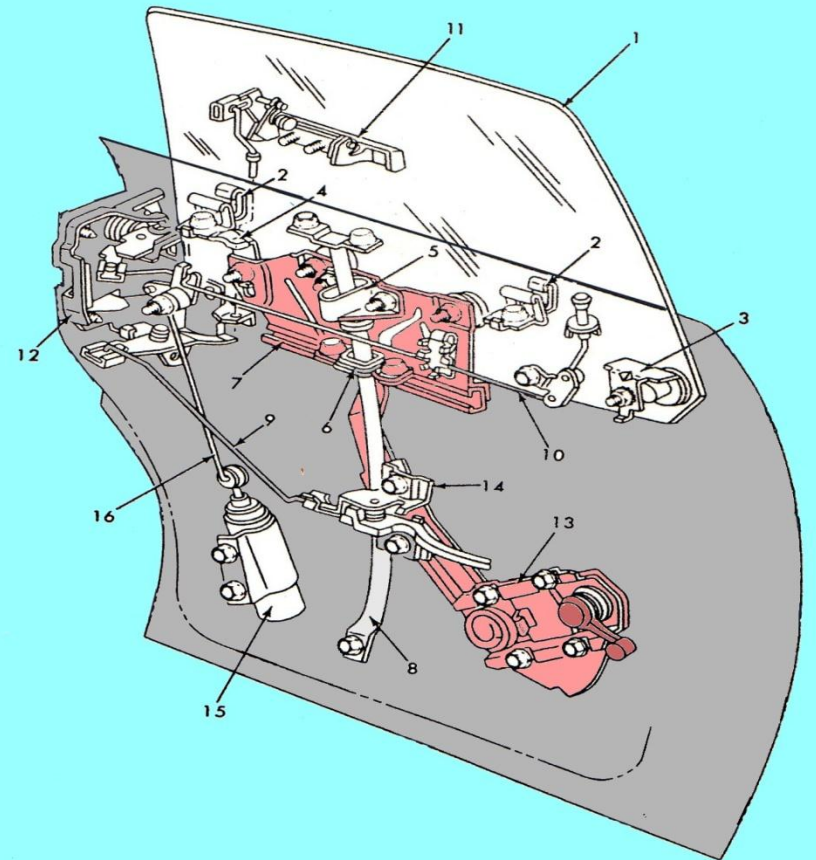
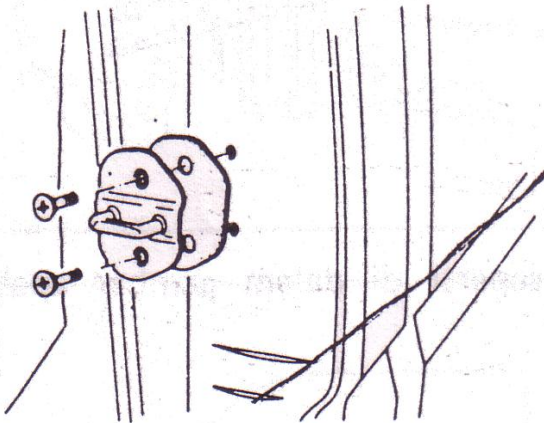
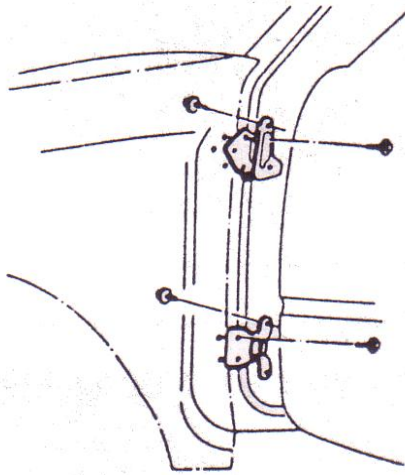
# Pillar Tengah



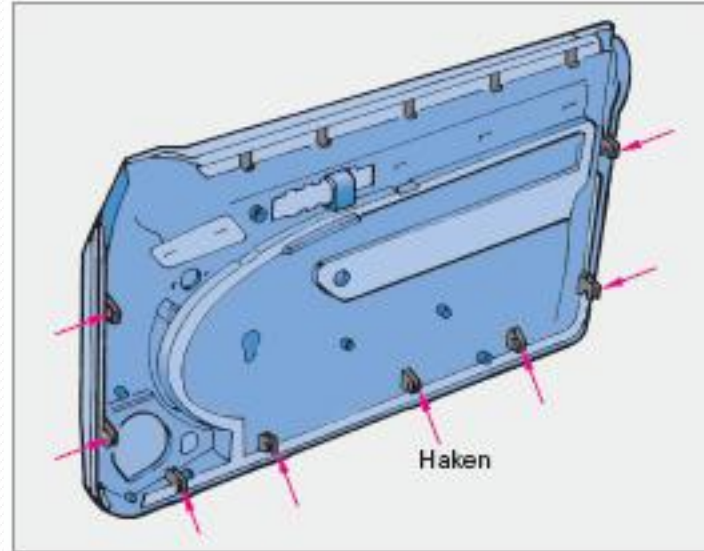
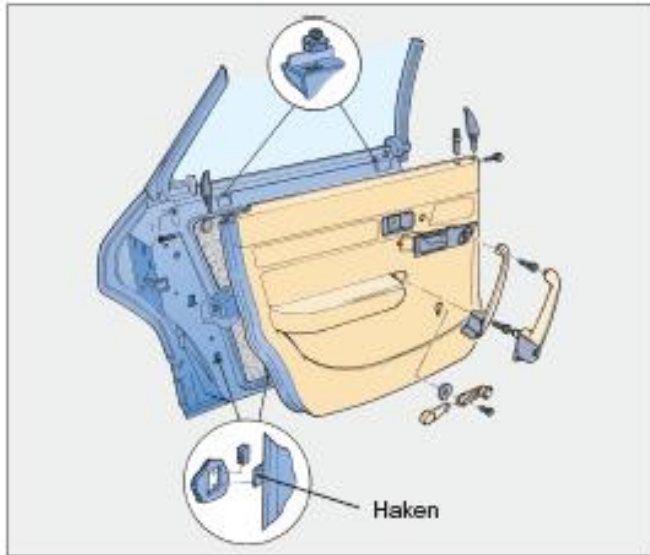
# Doors



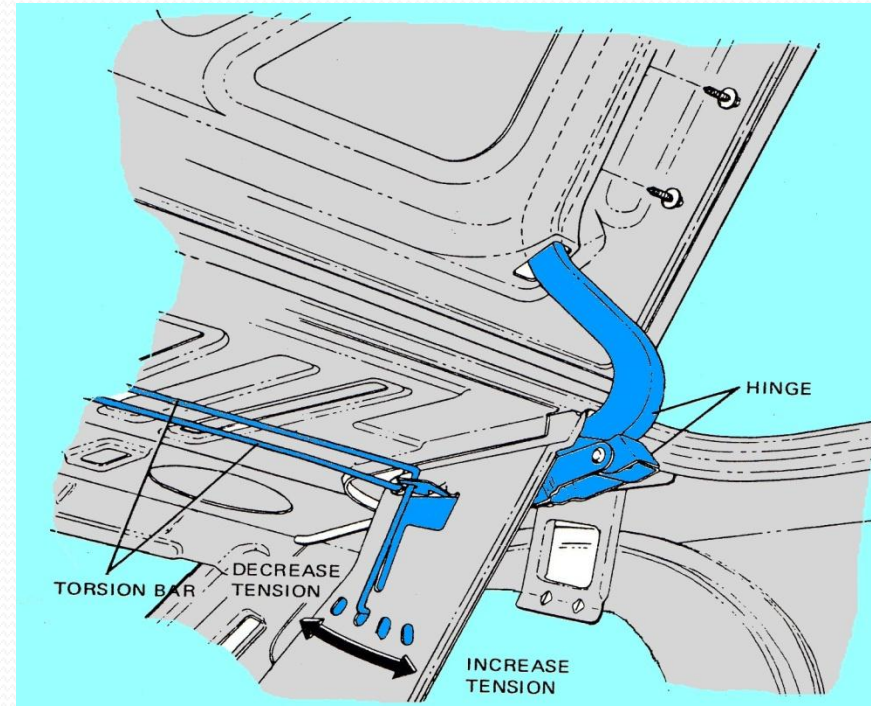
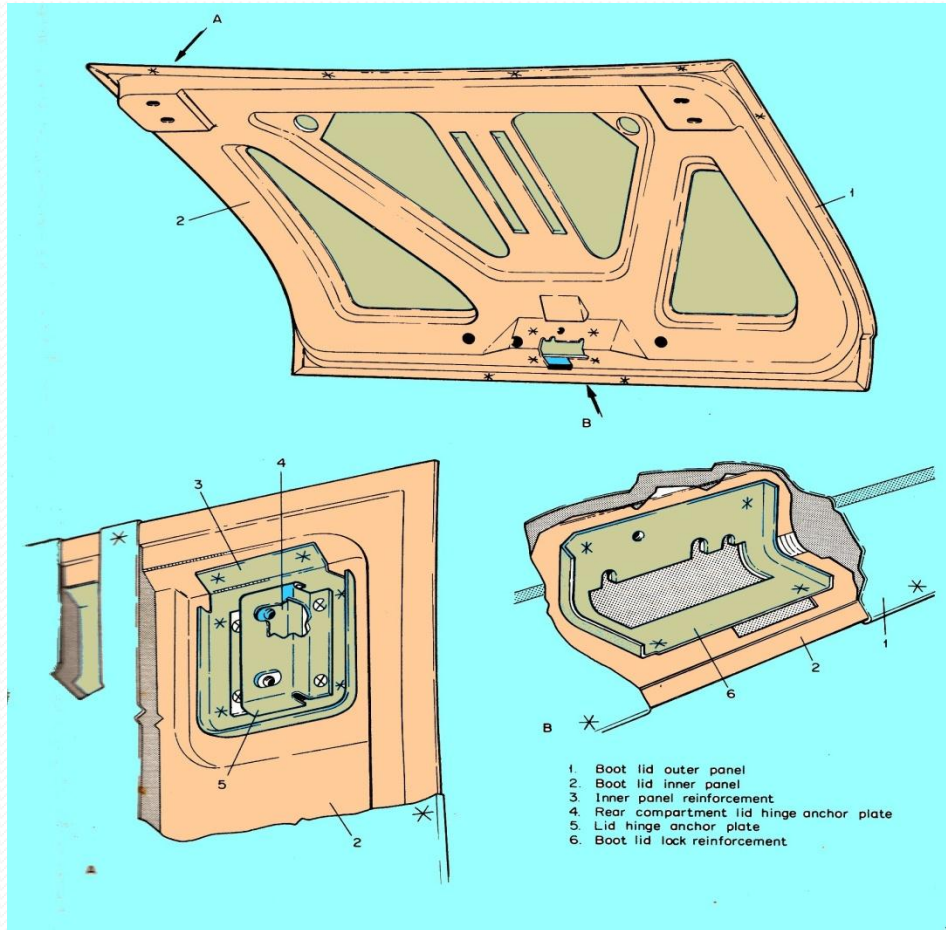
# Door Component



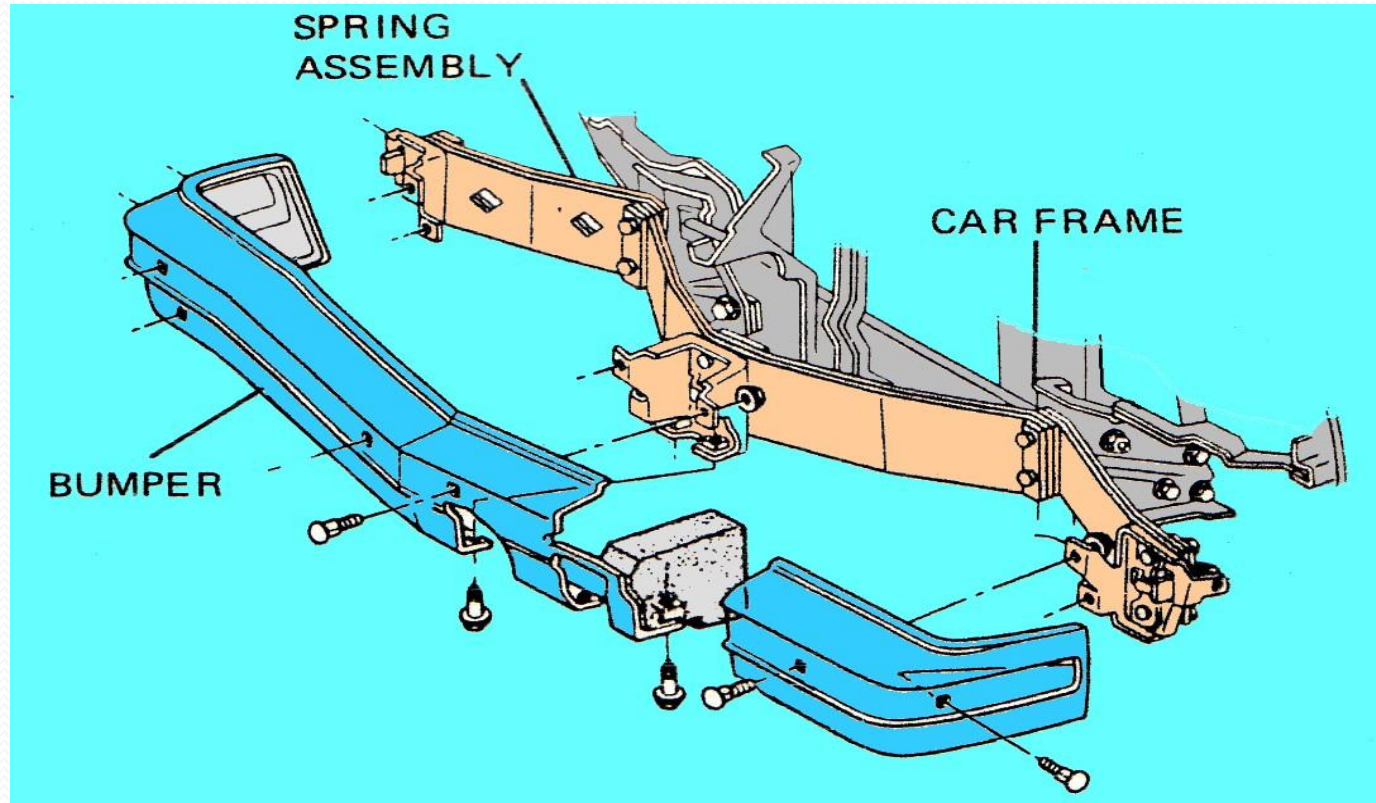
- |                                    |  |
|------------------------------------|--|
| 1. Window assembly                 | 9. Remote control to lock-connecting rod |
| 2. Belt trim support retainers     | 10. Inside locking rod                   |
| 3. Front up-travel stop            | 11. Door outside lift-bar handle         |
| 4. Rear up-travel stop             | 12. Door lock                            |
| 5. Lower-sash upper guide          | 13. Window regulator (electric)          |
| 6. Lower-sash lower guide          | 14. Door-lock remote-control handle      |
| 7. Lower-sash guide plate assembly | 15. Door-lock solenoid                   |
| 8. Guide-tube assembly             | 16. Rod inside locking to solenoid       |



# Deck lid

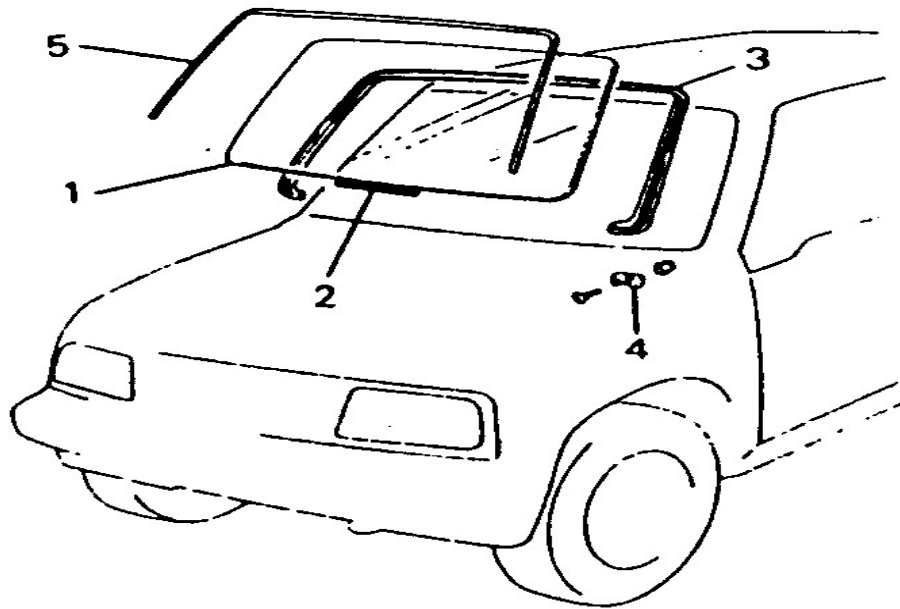


# Bumper

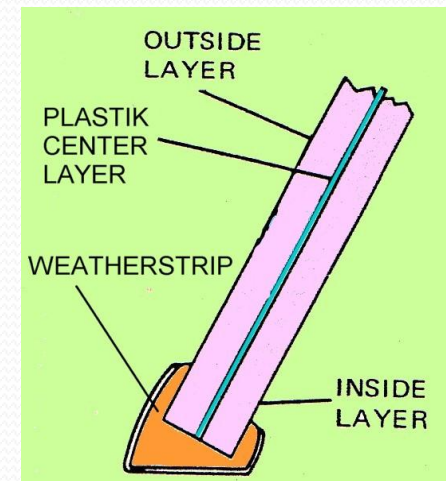




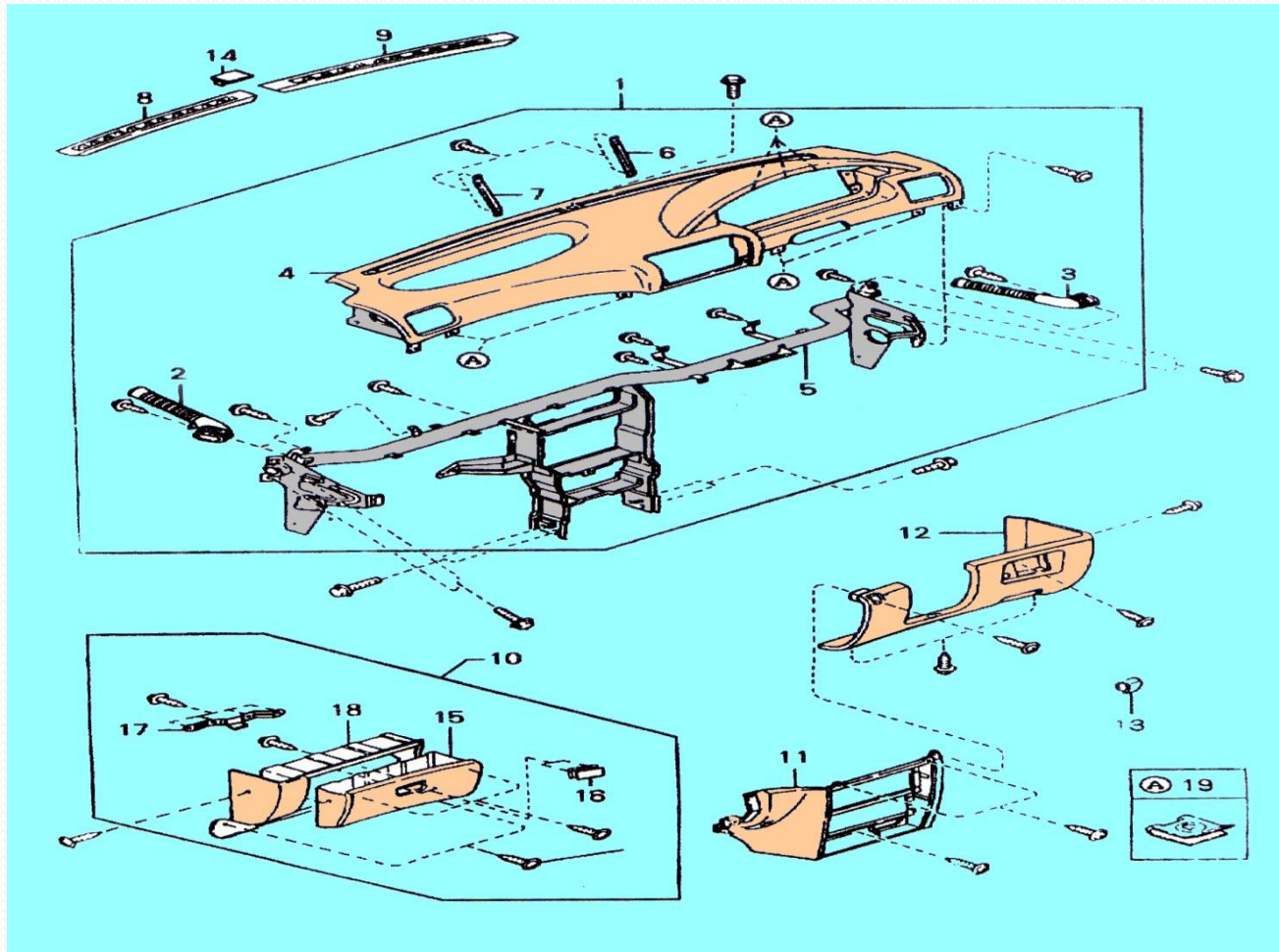
# automotive glass



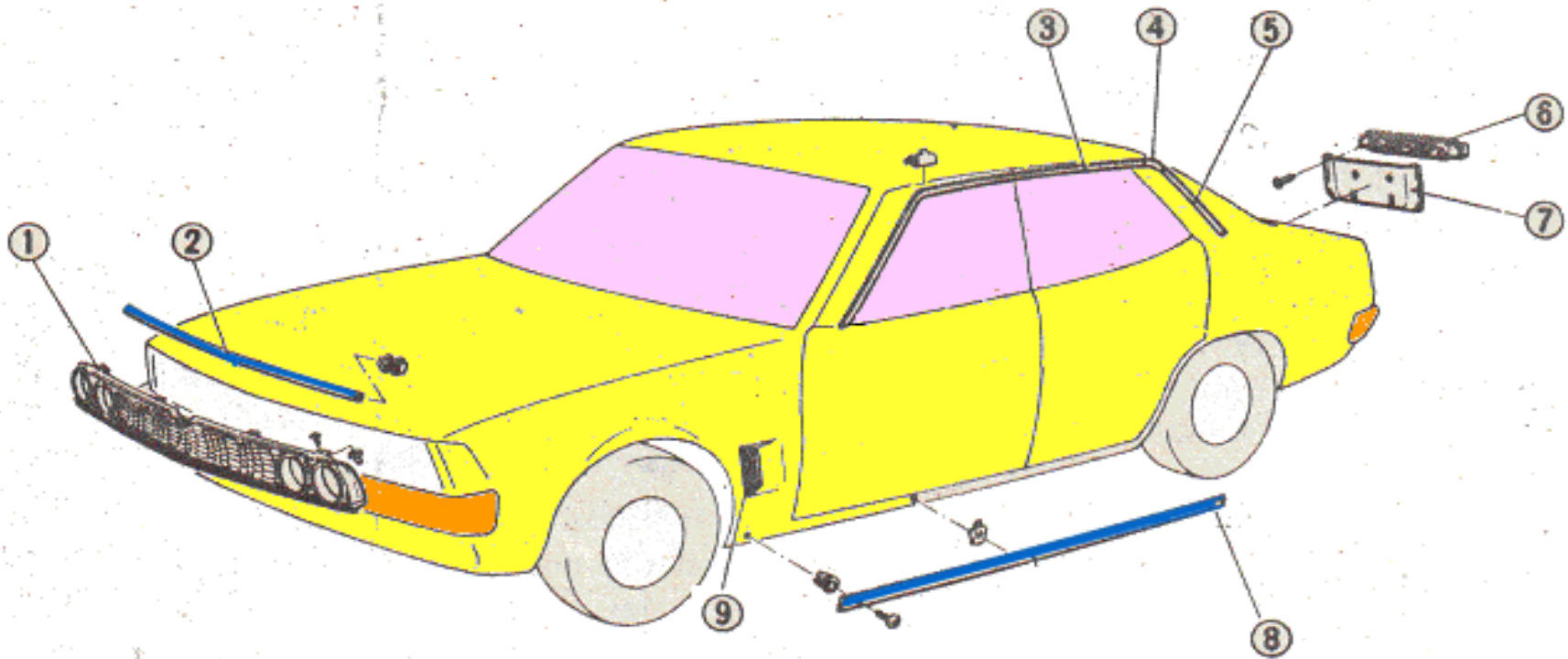
1. Windshield glass
2. Windshield glass spacer
3. Windshield opening trim
4. Windshield glass topper
5. Windshield molding



# Dashboard



# Grill Dan Moulding



- 1) Radiator Grille
- 2) Hood Moulding
- 3) Front Drip Moulding
- 4) Joint
- 5) Rear Drip Moulding

- 6) Rear Panel Upper Garnish
- 7) Rear Panel Lower Garnish
- 8) Skirt Moulding
- 9) Fender Grille