

# Electro-pneumatic

Yuwono Indro H

# This course will cover

- What is electro-pneumatic control system?
- Components of electro-pneumatic
- Application of electro-pneumatic

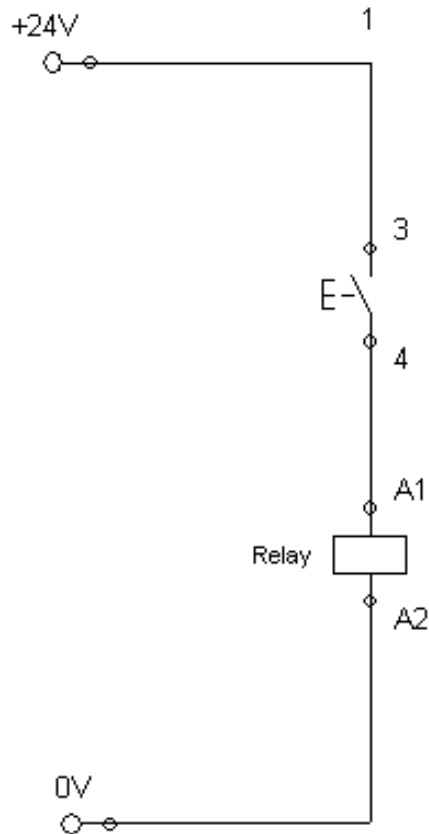
# What is electro-pneumatic control system?

Pneumatic control system where uses electric signal for components and control signal

# The advantages of electro-pneumatic control system

- High reliability
- Easy for plan and test-drive
- Easy for installations

# Fundamental of electric technology



Simple DC circuit

If switch turn on, current will be flow and the relay will work

# Components of electro-pneumatics

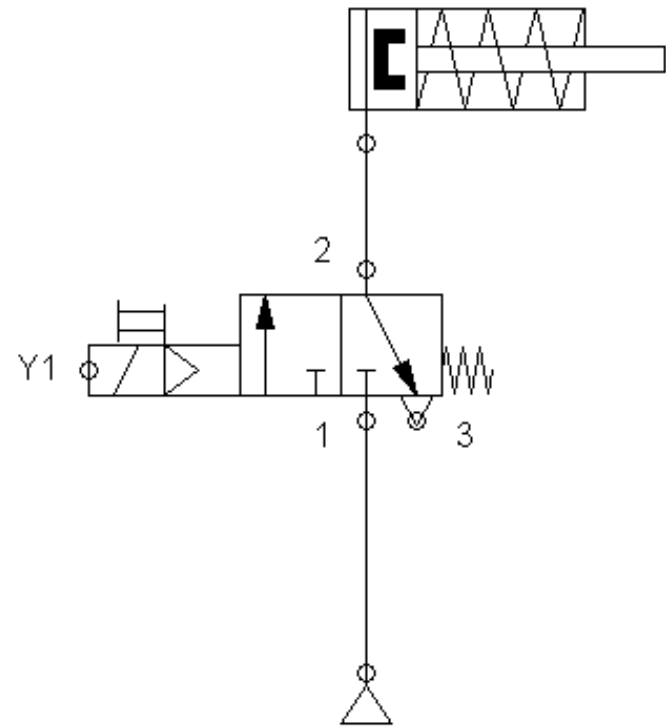
- Power supply
- Switch
- Sensor
- Relay
- Solenoid

# The part of electro-pneumatic control system

- Pneumatic circuit
- Electric circuit (control)

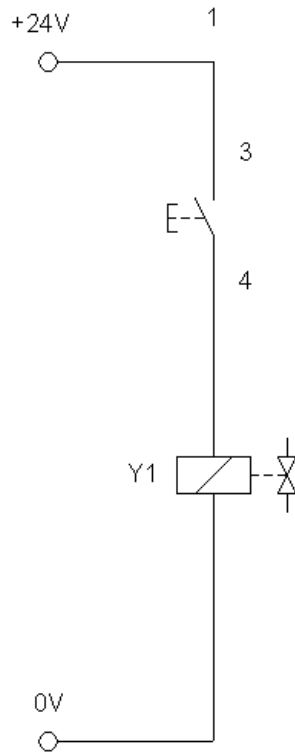
# Pneumatic circuit

Uses air pressure for  
make cylinder work



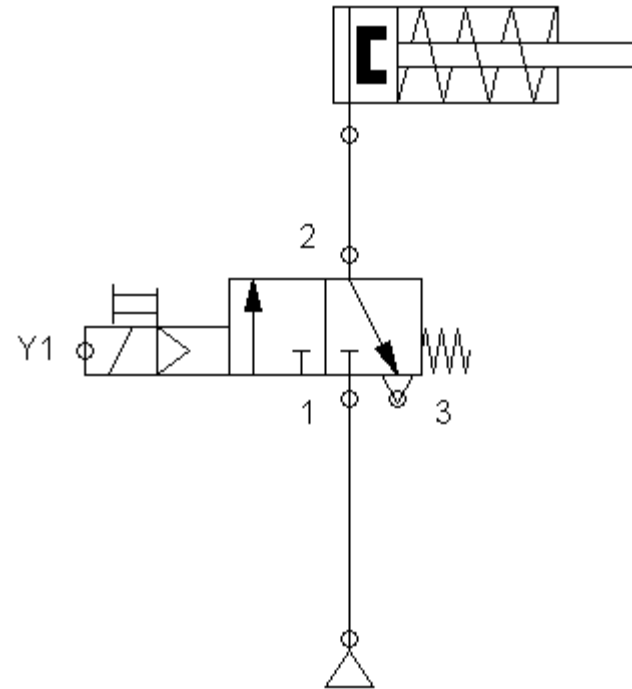
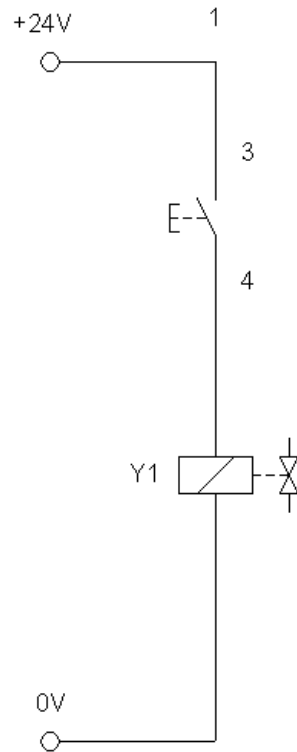


# Electric circuit (control)

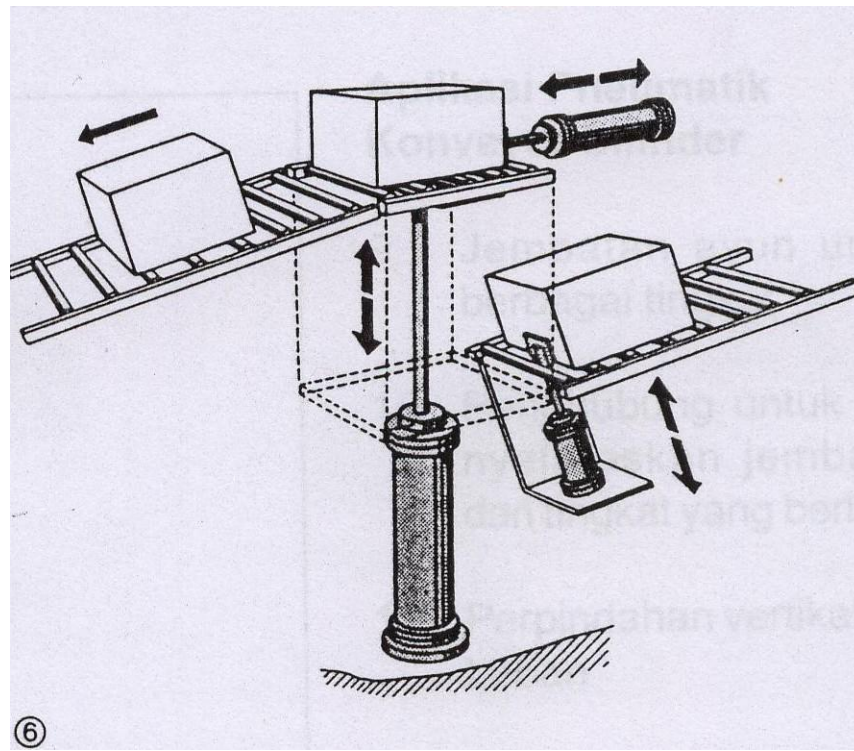


If switch turn on, relay Y1 will be work

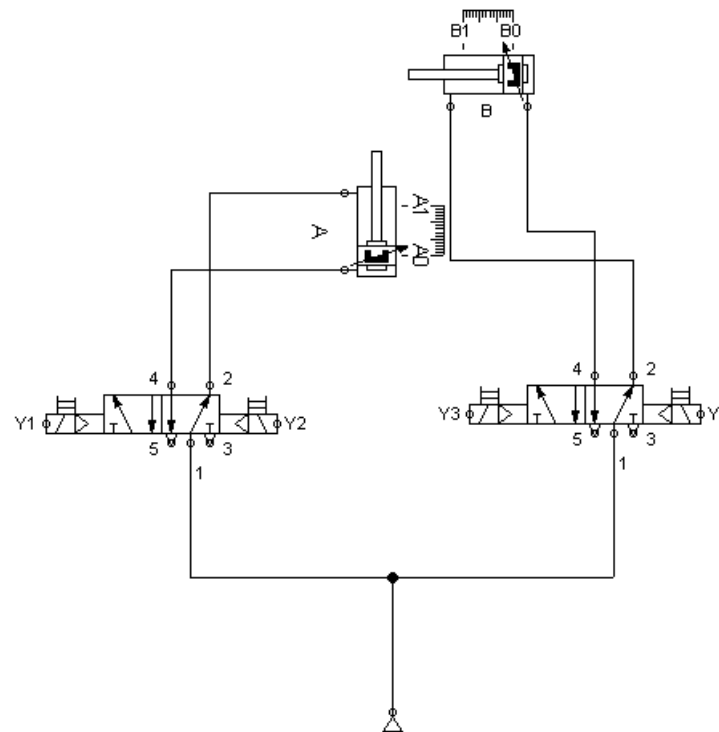
# Electro-pneumatic circuit



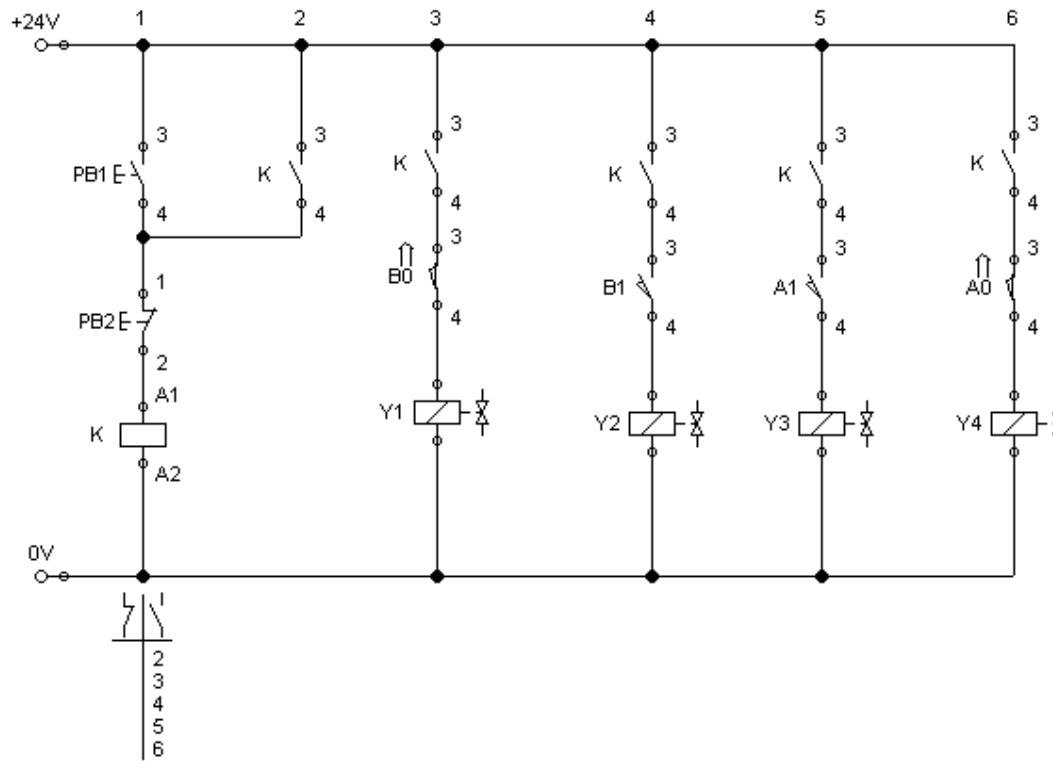
# Problem



# Pneumatic circuit



# Electric circuit



# Quiz

